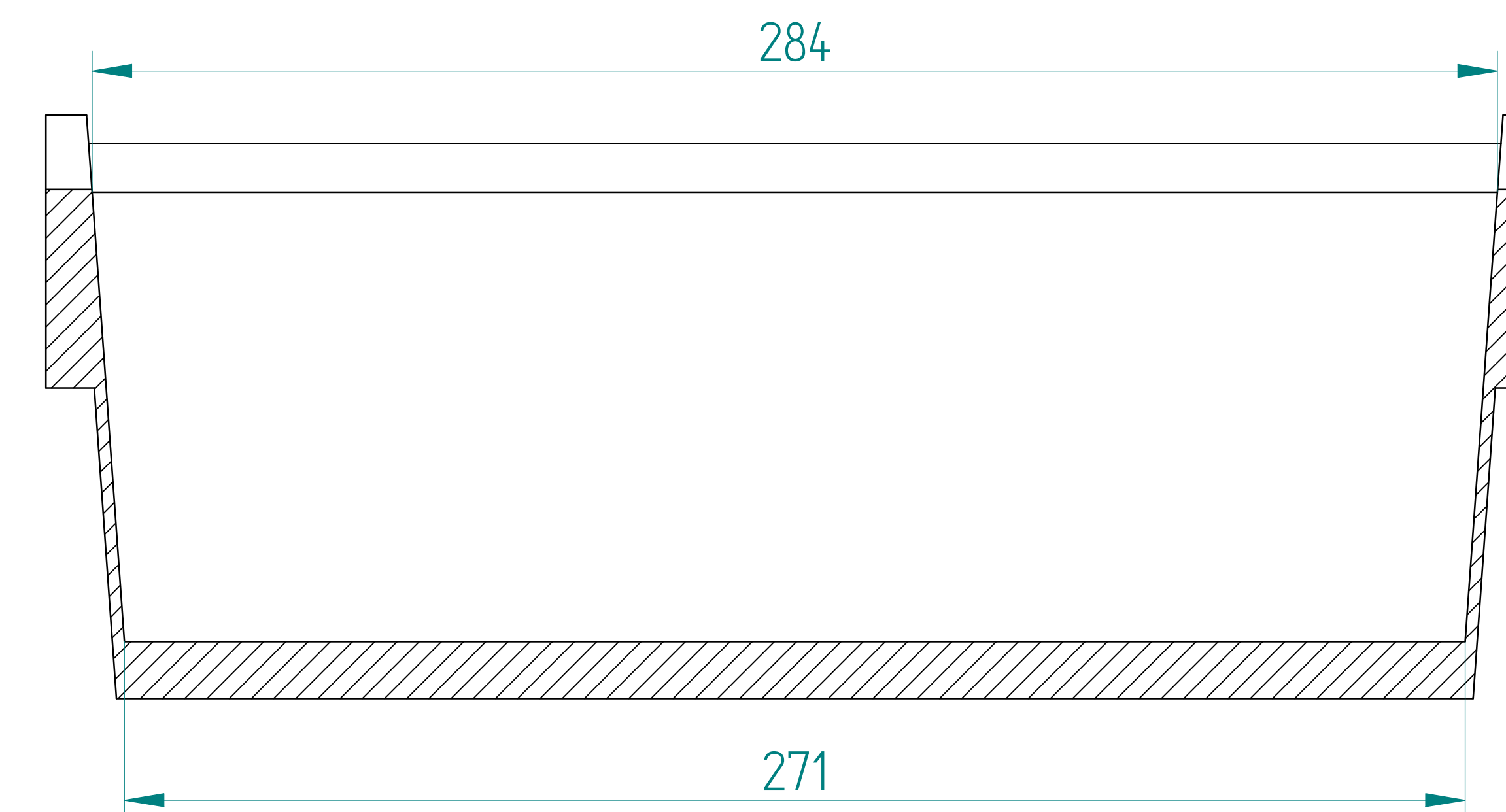
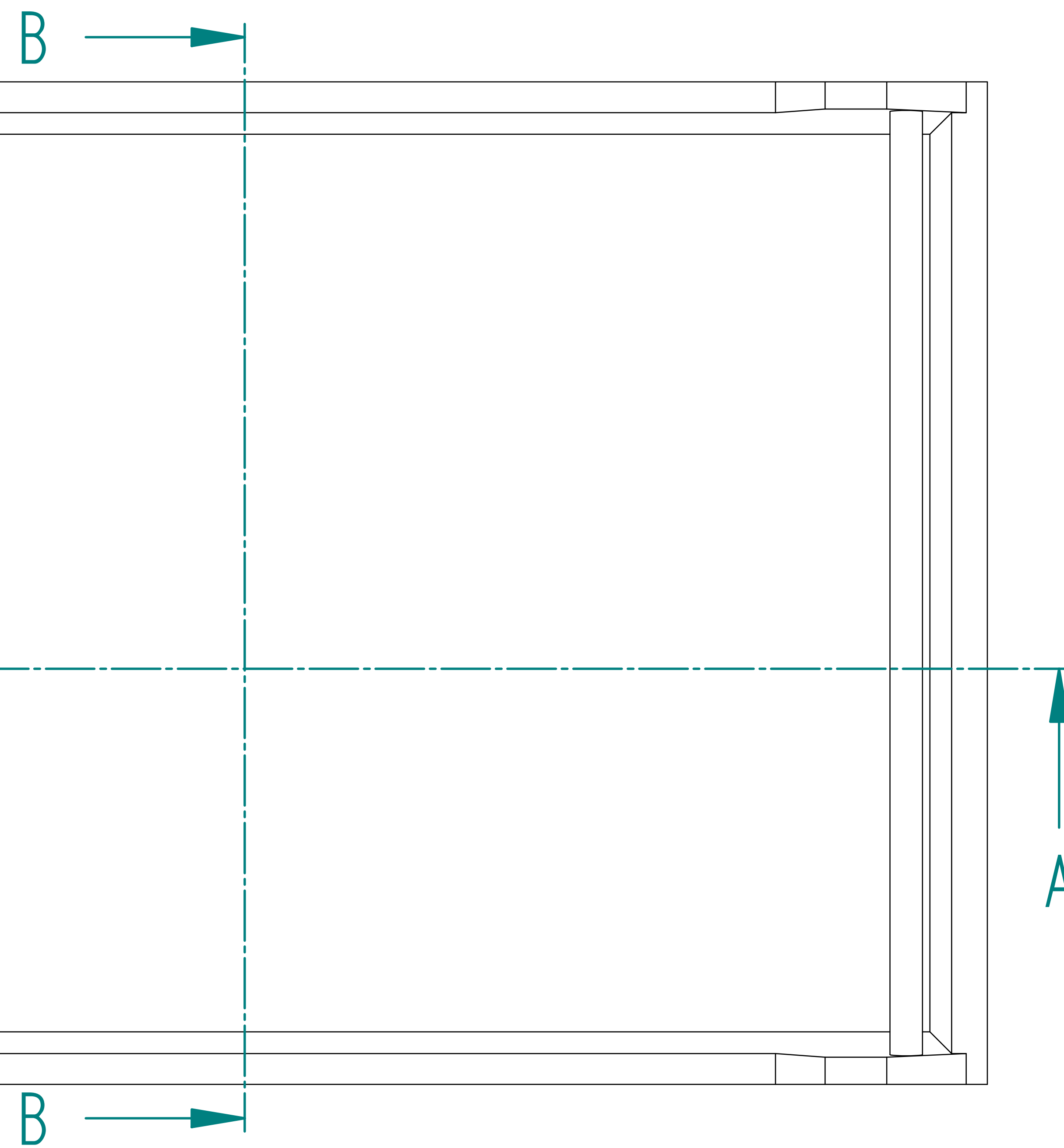
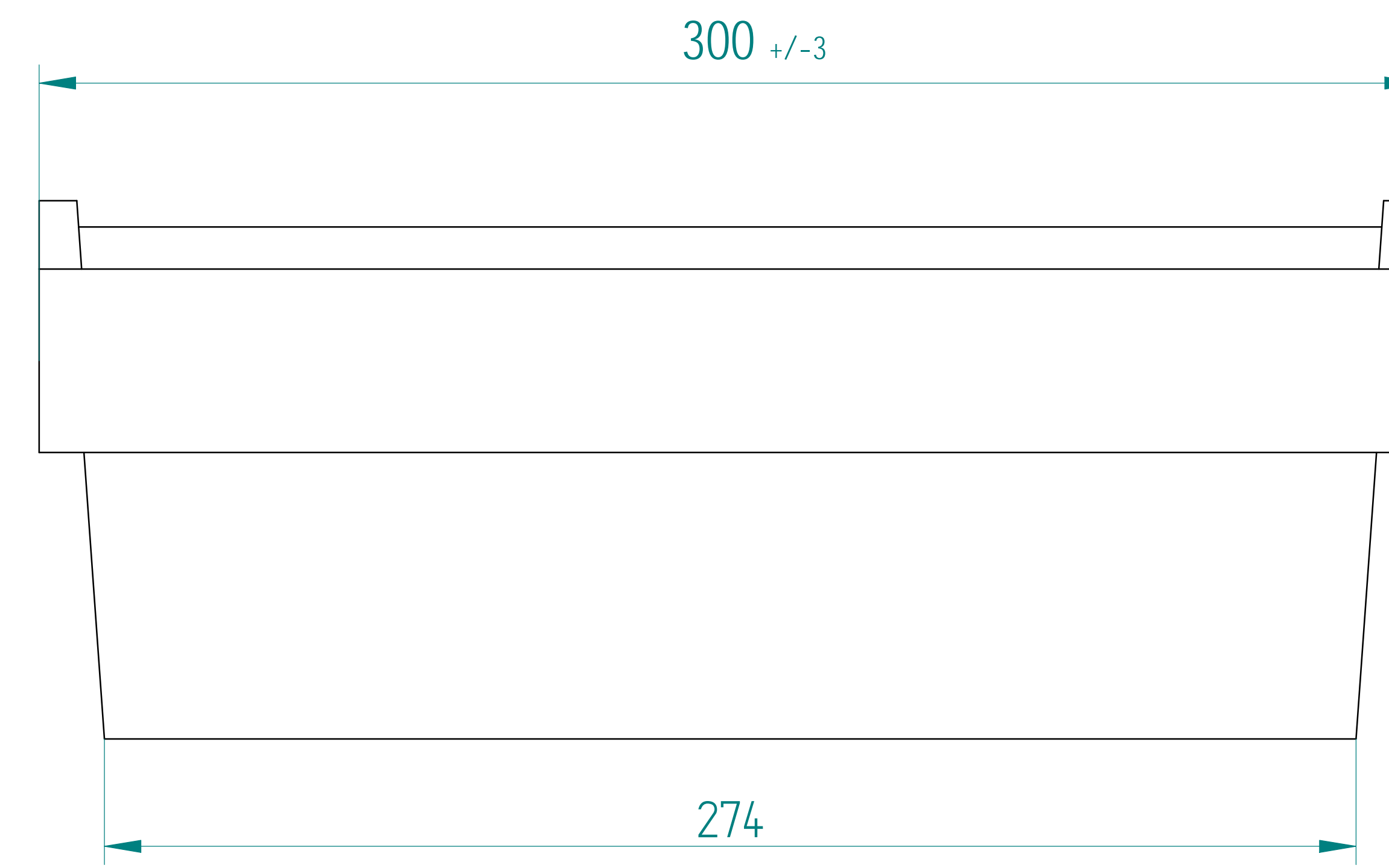
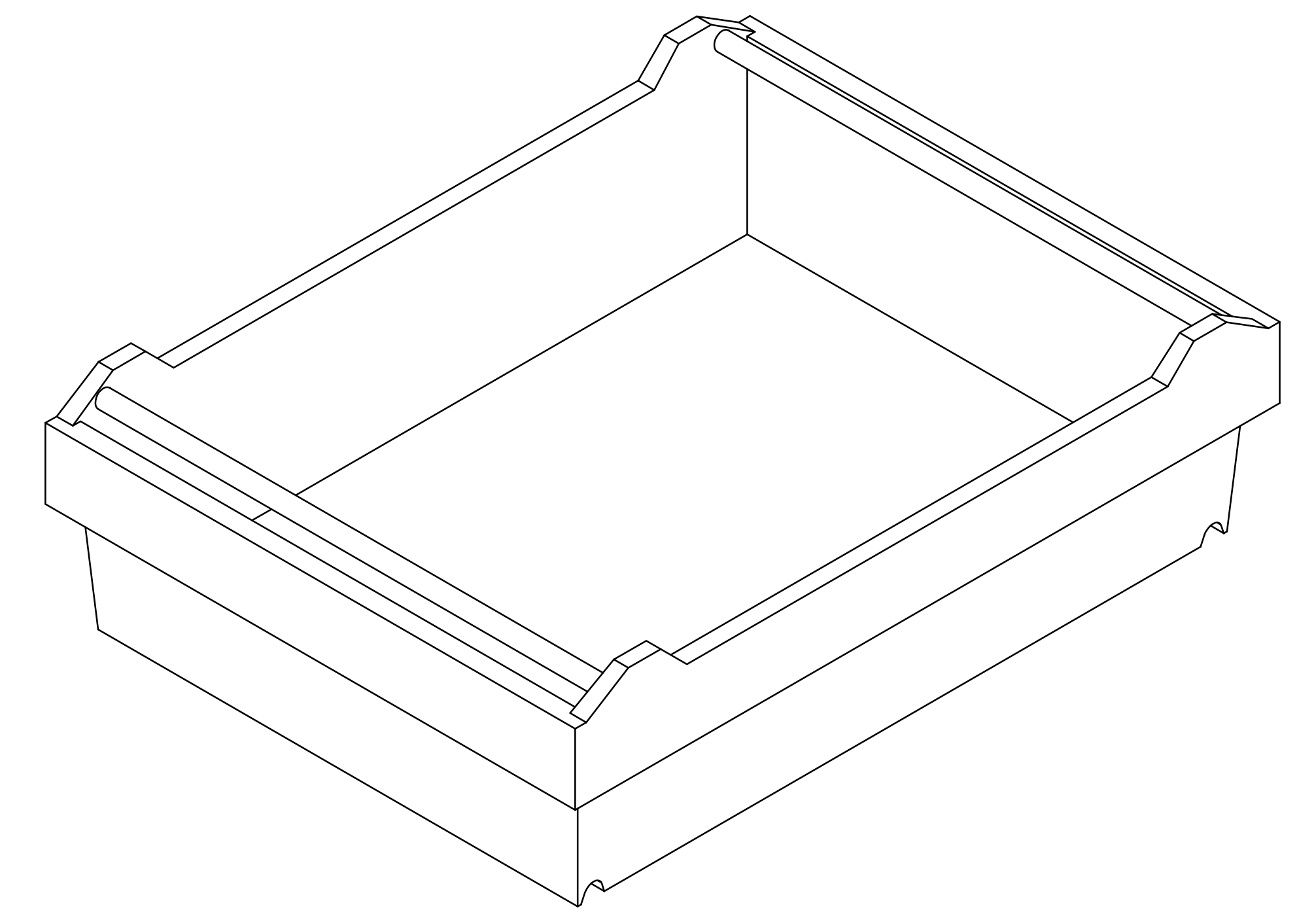
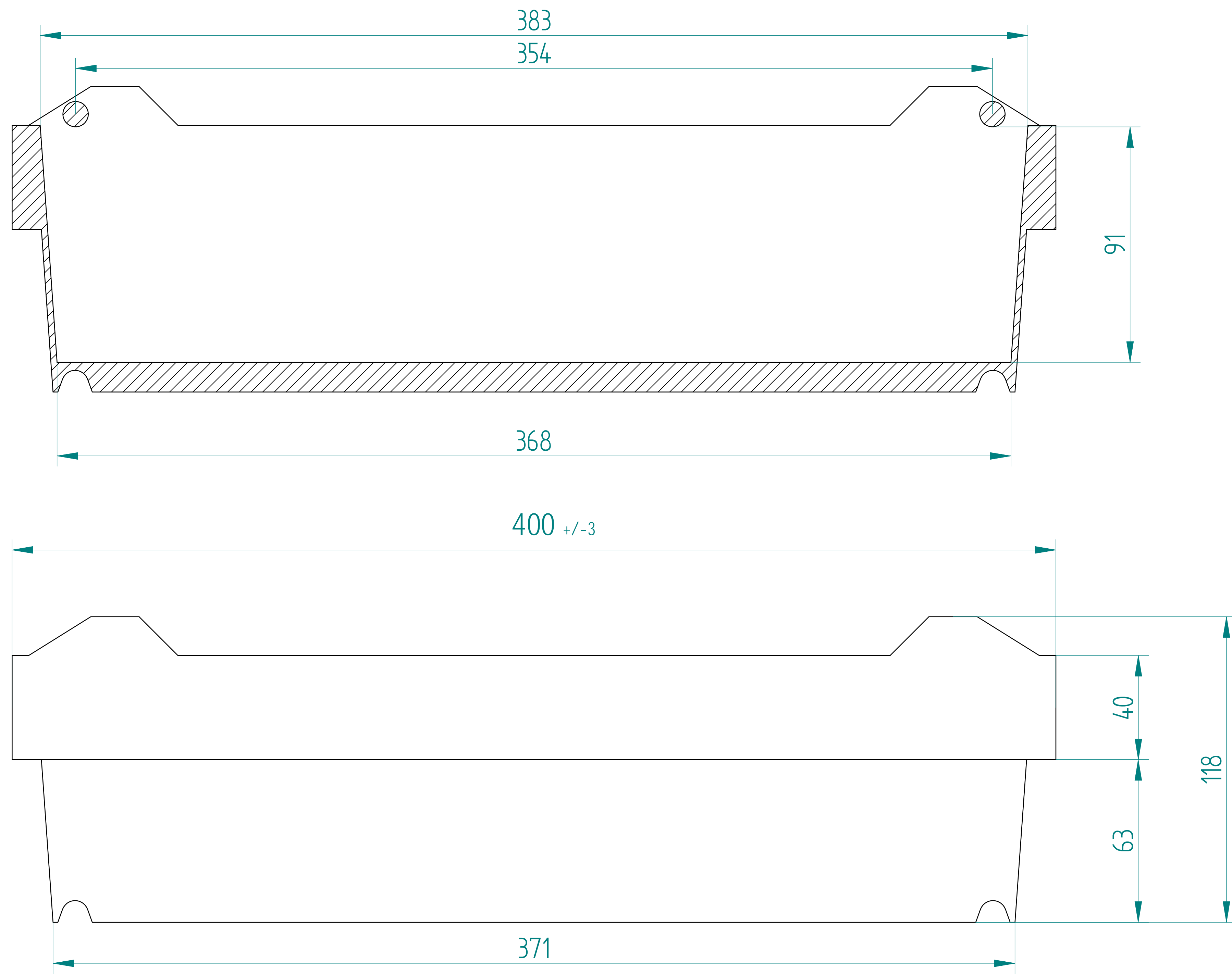


SECTION A-A



SECTION B-B

Filename: B1-400-300-118.dft
For other dimensions refer to 3D-file: B1-400-300-118.par

Revision		Date		Designer	
Error: No reference					
General wall thickness	mm	Material	Weight	Project No.	
General Draft		Drawn	Date	Scale	AO
General Rib thickness	mm	Checked	Date	Projection method	Format
Unless otherwise specified, use tolerance +/-0.25%					
Change Drawing with CAD only					
			Description		
			B1 - 400x300x118		
SZ-LV-Draft			Revision	Mold No.	SAS 0000
Drawing No.			Revision	Mold No.	SAS 0000
					Sheet
					2