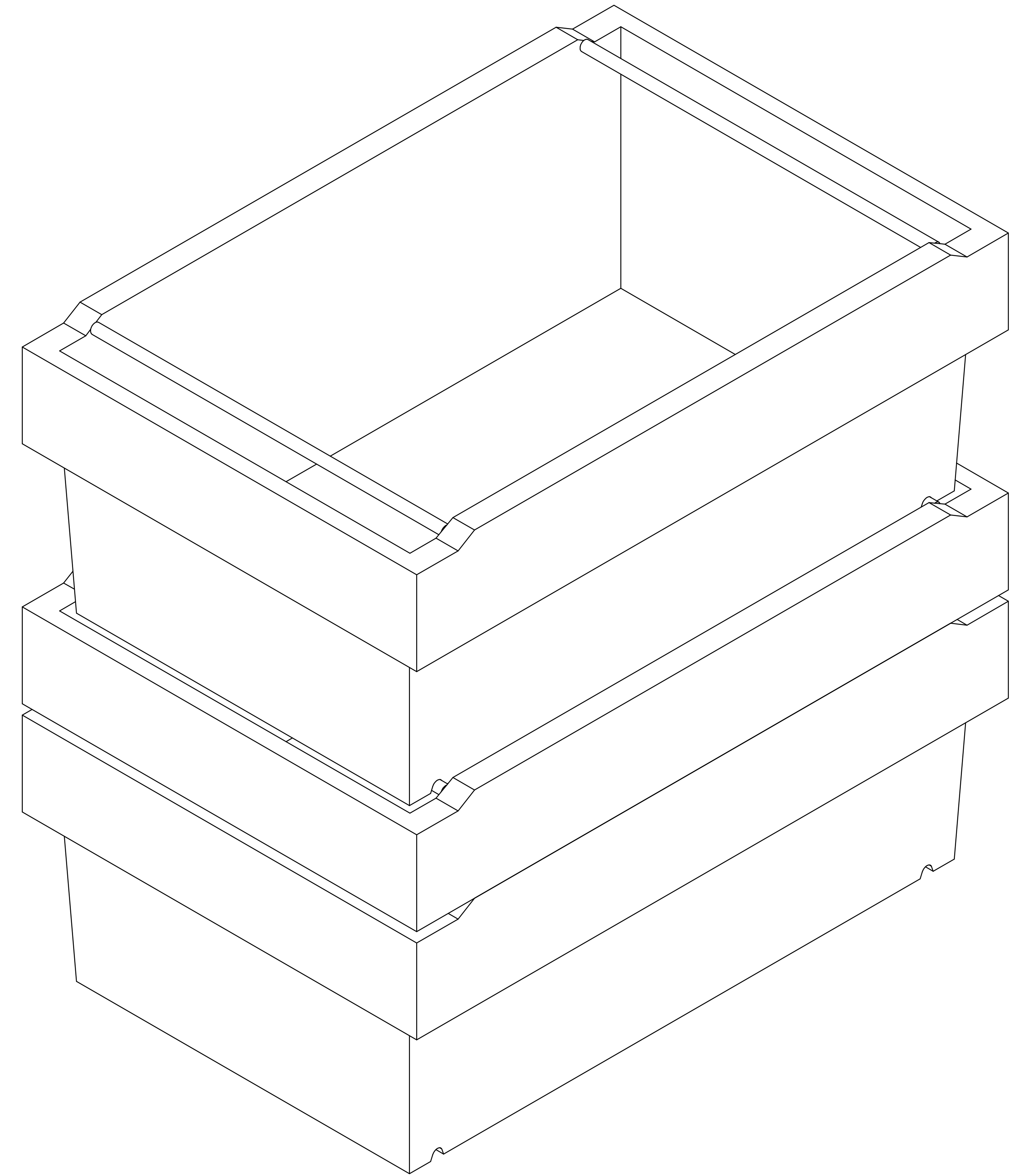


SECTION C-C



Filename: B5-600-400-240.dft
 For other dimensions refer to 3D-file: B5-600-400-240.par

Revision		Date		Designer	
Error: No reference					
General wall thickness	mm	Material	Weight	Project No.	
General Draft	mm	Designer	Date	Scale	Format
General Rib thickness	mm	Check	Date	Projection method	Format
Unless otherwise specified, use radius R1					
Unless otherwise specified, use tolerance +/-0.25%					
Change Drawing with CAD only					
Description		B5 - 600x400x240			
SZ-LV-Draft		Article No. 0000.000		Sheet 2 of 2	
Drawing No.		Revision		Model No. SAS 0000	