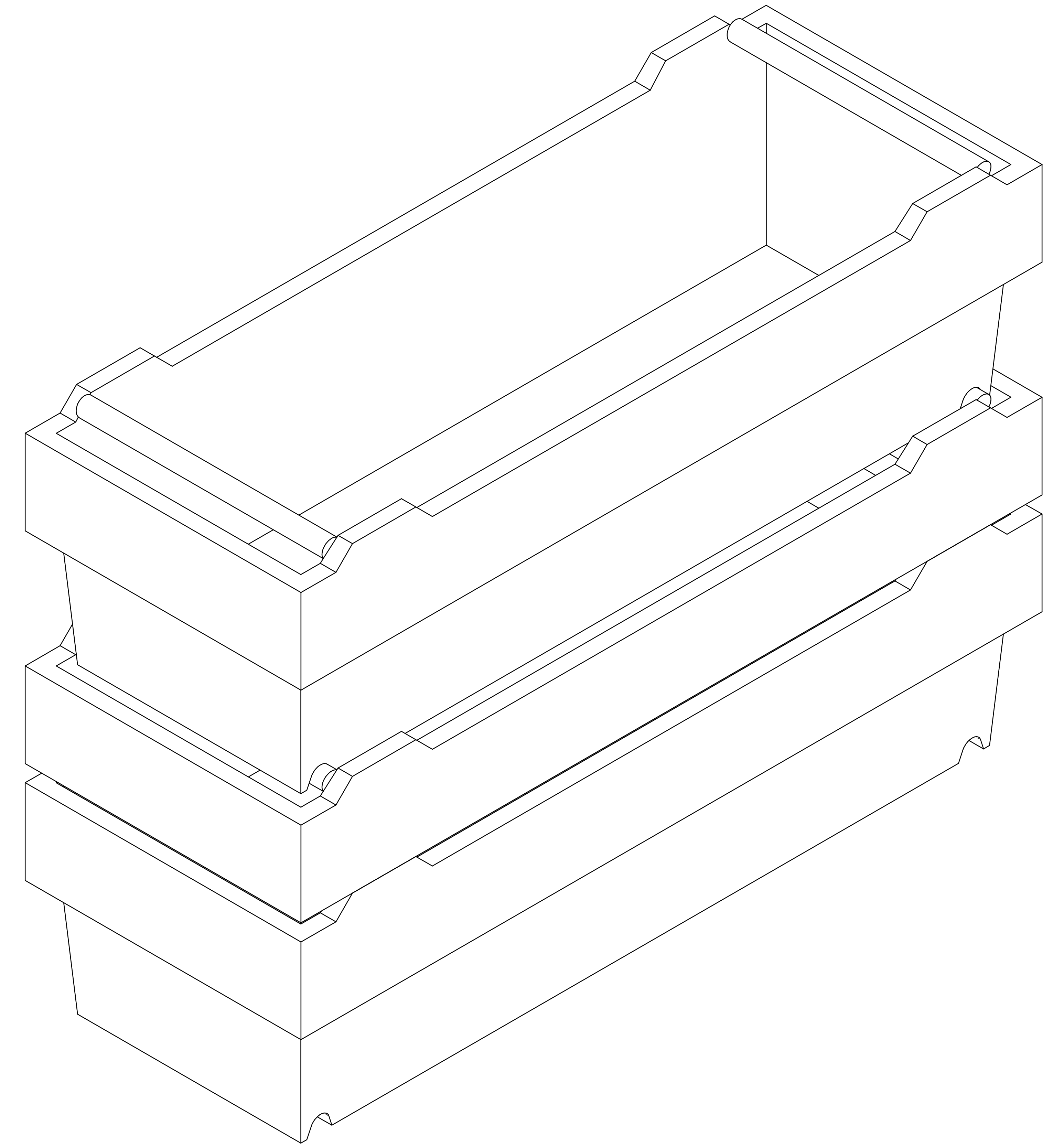


SECTION C-C



Filename: B6-400-150-118.dft
 For other dimensions refer to 3D-file: B6-400-150-118.par

Revision		Date		Designer	
Error: No reference					
General wall thickness	mm	Material	Weight	Project No.	
General Draft	°	Scale	Date	Scale	
General Rib thickness	mm	Designer	Date	Projection method	Format
Unless otherwise specified, use radius R1		Check	Date	Projection method	Format
Unless otherwise specified, use tolerance +/-0.25%					
Change Drawing with CAD only					
		B6 - 400x150x118			
		Description SZ-LV-Draft		Article No. 0000.000	Sheet 2 of 2
Drawing No.	Revision	Model No. SAS 0000			